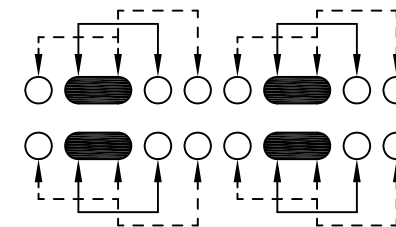
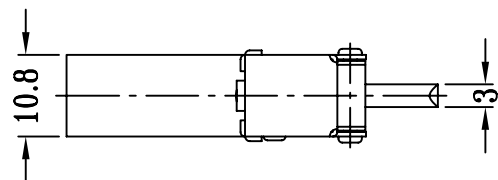
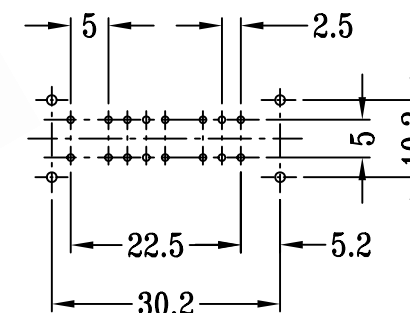
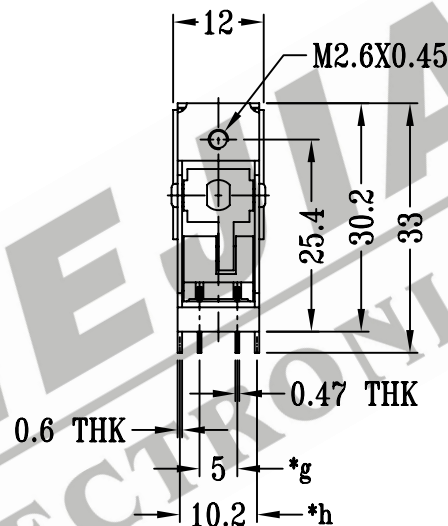
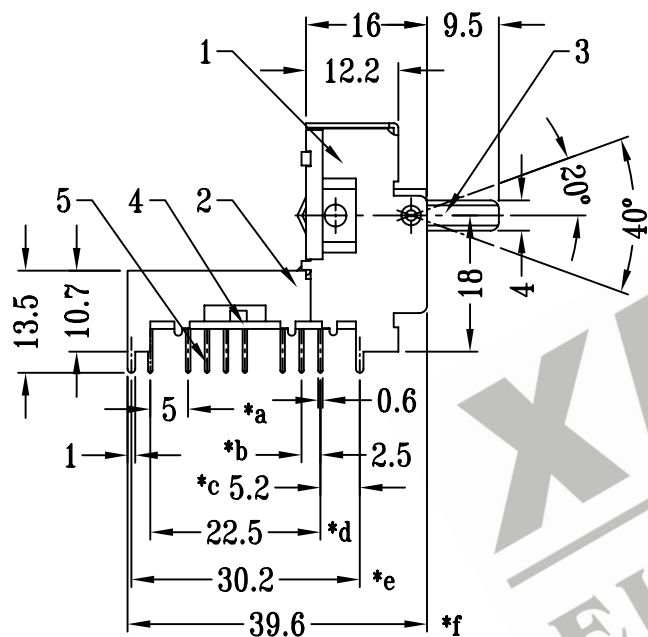


CAD FILE:



SCHEMATIC (SHORTING)



P.C.B LAYOUT

10	CONTACT CLIP	PBS STRIP	4	Ag PLATED
9	SPRING	STEEL WIRE	1	TEMPER
8	RIVET	COPPER	1	Ni PLATED
7	BAR	POM	1	BLACK
6	SLIDER	POM	1	BLACK
5	TERMINAL	BRASS STRIP	16	Ag PLATED OVER Ni PLATED
4	BASE	PHENOLIC RESIN	1	NATURAL
3	KNOB	POM	1	BLACK
2	COVER	STEEL STRIP	1	Ni PLATED
1	FRAME	STEEL STRIP	1	Ni PLATED
NO.	PART NAME	MATERIAL	Q'TY	FINISHING

注:带"*"表示关键尺寸(8个)

TOLERANCE
UNLESS SPECIFIED

WITHIN: 1.5±0.1mm
OVER : 1.5±0.2mm

SHENZHEN XIEJIA ELECTRONICS CO.,LTD.

ISSUE

DATE

DESCRIPTIONS

APPD.

TITLE : TOGGLE SWITCH

UNIT : MM

DRWG NO.: XJ-DR-TS43E01-00

MODEL: TS-43E01

SCALE: 1:1

DWN. ZHOUYU 2001-8-5

CHK'D FANGYING 2001-8-5

ALL MATERIALS MUST BE COMPLIANT TO ROHS

APPD. KANGXINAN 2001-8-5